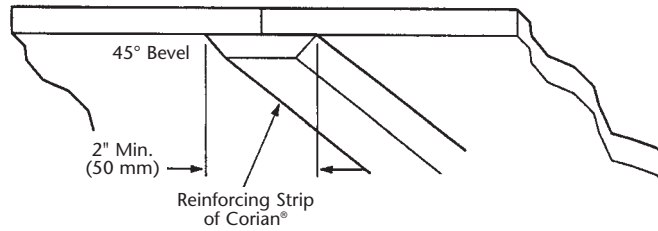


## COUNTERTOPS — REINFORCING AND SUPPORTING SEAMS

Seams are made much stronger by adding a reinforcing strip of Corian® under the seam:

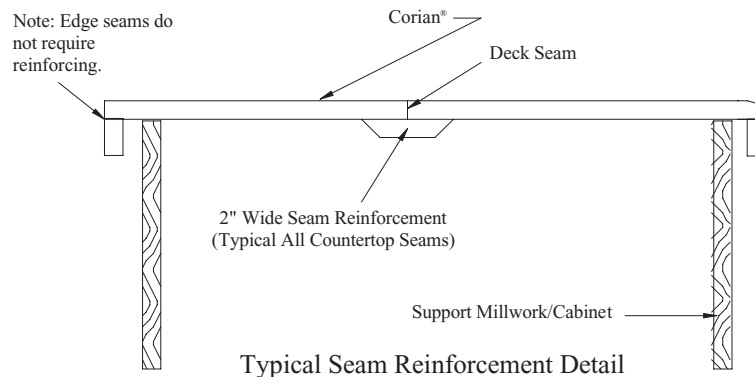
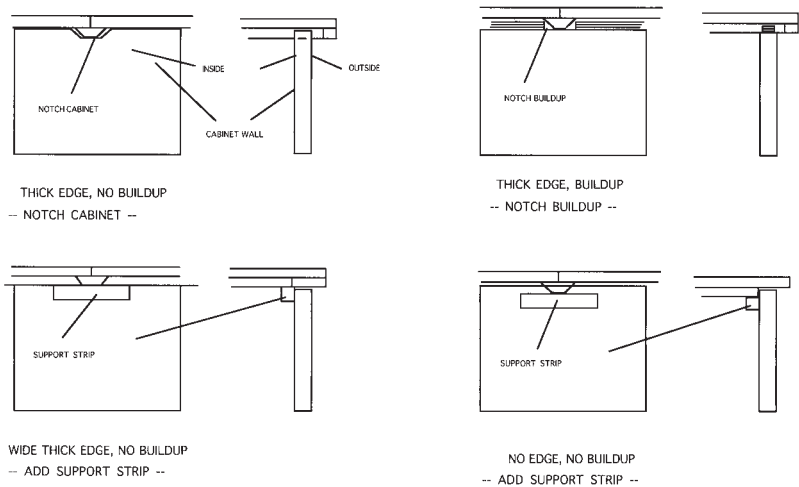


The reinforcing strip is applied in the shop or during field installation. The strip also serves as the seam support. The strip rests on both front and rear edges of the cabinet (see reverse side of this bulletin for support suggestions). Specify the strip thickness equal to the countertop thickness.

The strip extends to the edges of the seamed sheets. If a thick edge is used, the strip must butt into the thick edge and all seam/joint areas must be fully filled with adhesive.

This procedure is also used to reinforce seams through cutouts. In cutouts, only one end of the reinforcing strip needs to be resting on the cabinet.

Several methods of supporting the reinforcing strips are shown below. Other methods that provide adequate support may also be used.



C950-K03158-45 1/04